

**Available Colors:**

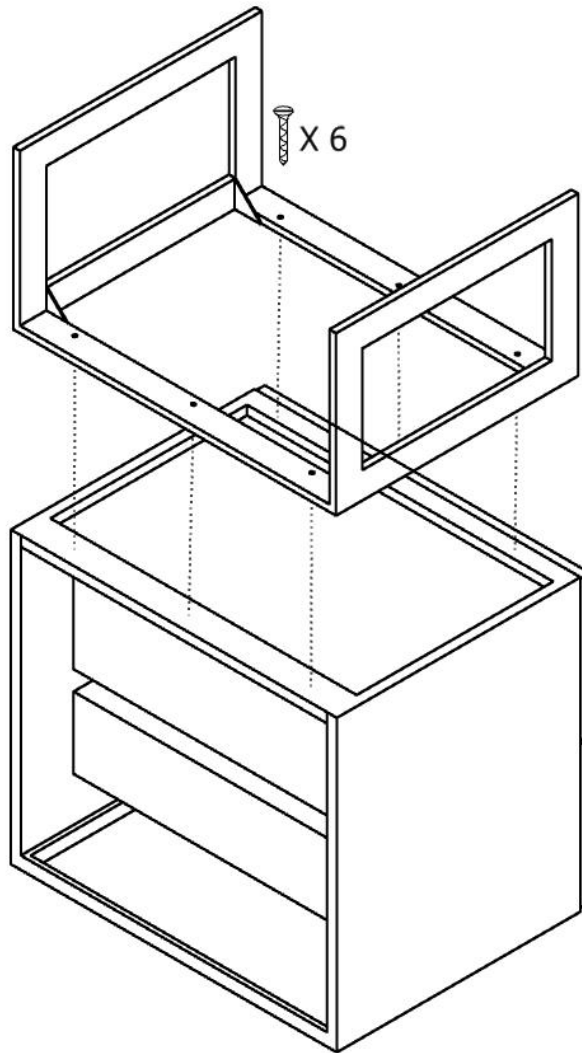
Polish Chrome  
Stainless Steel

**Features:**

Optional For Free  
Standing

**Installation Instruction**

1. Place feet in even position
2. Mark screw location
3. Pre-drill holes with 7/64" drill bit (must smaller 1/8") about 3/4" deep
4. Using a regular battery drill, set clutch to minimum and increase setting as needed (No impact drill)
5. DO NOT OVER TIGHEN THE SCREW



## Specification & Installation